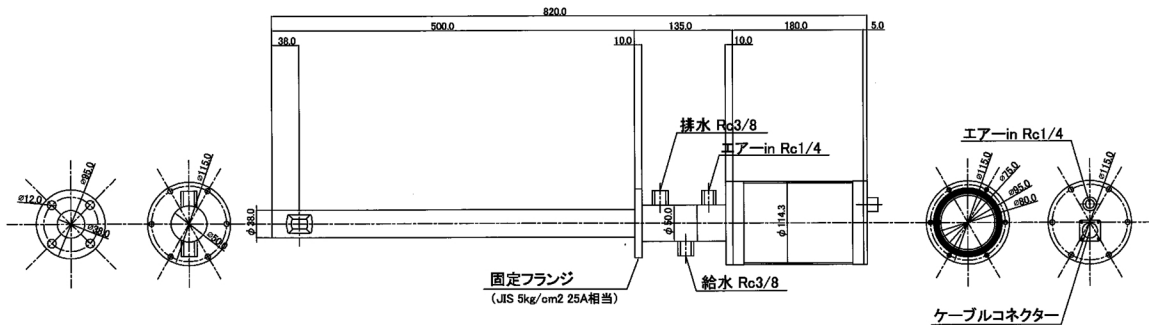


# FS-08-05-03S外形図



TITLE	試作機FS-08-05-03S外形図		
NO.	FS-08-05-03S		
REV.		DATE	01.07.2014
SCALE	not to scale	SECURITY JAPAN co., Ltd	